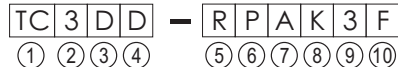


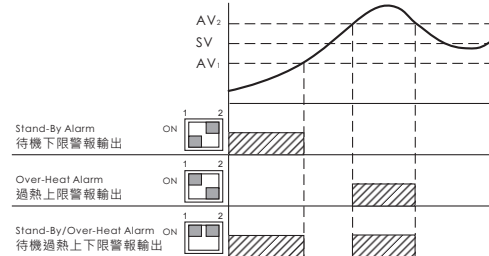
Ordering Information 訂購資料



- ① Product 產品名稱  
Temperature Controller
- ② Size 外形尺寸  
1 = 48H x 48Wmm  
2 = 96H x 48Wmm  
3 = 72H x 72Wmm  
4 = 96H x 96Wmm
- ③ Method of Setting 設定方式  
D = Digital Switch 撥碼開關  
A = Trimmer 旋鈕  
O = Without set 無設定
- ④ Method of Display 顯示方式  
D = Digital LED Display 數字顯示  
O = Without Display 無顯示
- ⑤ Method of Output 輸出方式  
R = Relay Output 繼電器輸出  
V = Voltage Output 電壓輸出
- ⑥ Method of Control 控制方式  
P = Proportional Control 比例控制  
O = ON/OFF Control 開/關控制
- ⑦ Alarm 警報  
A = With Stand-By/Over-Heat Alarm 待機/過熱警報  
H = With Stand-By/Over-Heat Alarm/Heater Break Alarm 待機/過熱警報及加熱器斷線警報
- ⑧ Type of Sensor 感溫線種類  
K = K Type K型熱電偶  
J = J Type J型熱電偶  
Pt = PT-100Ω 熱電阻
- ⑨ Range of Setting 設定範圍  
Digital Switch 撥碼開關      Trimmer 旋鈕  
0 = -99 ~ +      99      T = -50 ~ +      50  
1 = 0 ~ +      199      L = 0 ~ +      50  
3 = 0 ~ +      399      U = 0 ~ +      100  
5 = 0 ~ +      599      2 = 0 ~ +      200  
6 = 0 ~ +      400  
7 = 0 ~ +      600  
9 = 0 ~ +      999      4 = 0 ~ +      400  
X = 0 ~ +      1200
- ⑩ Unit of Degree 刻度單位  
F = °F  
Non = °C

Specification 功能特性

- ON/OFF LED 動作指示燈  
Green-Control Output Turn ON  
Red-Control Output Turn Off  
綠燈亮(ON)加熱,紅燈亮(OFF)不加熱
- Sensor Break LED (SB) 感溫線斷線指示燈  
SB LED Turn ON When Sensor Break  
SB LED 燈亮時表示感溫線斷線
- AL Stand-By/Over-Heat Alarm 待機/過熱警報  
SV=Setting Value 溫度設定值  
AV1/AV2=Stand-By/Over-Heat 待機/過熱設定值  
Function Selects by DIP Switch  
可由外部DIP開關做功能選擇

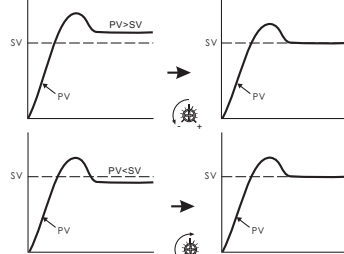


● Heater Break Alarm (HB) 加熱器斷線警報

Heater break alarm output turns ON when the current of heater lower than setting value that may set of front panel. (0.5A~25A standard/1.0A~50A optional).  
當加熱器電流低於設定值時,加熱器斷線警報即動作,設定值可在面板設定,標準0.5A~25A,訂做1.0A~50A.

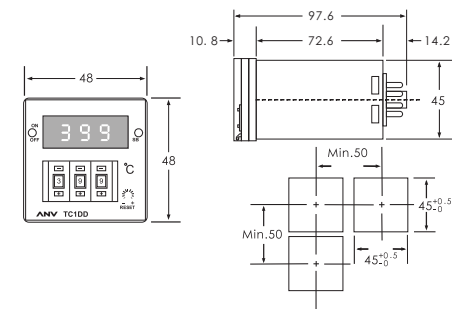
Notice of Use 注意事項

- "RESET" 調整 OFFSET  
RESET Adjuster may modify the difference between present value (PV) and setted value (SV). If PV>SV may modify RESET at counterclockwise. If PV<SV may modify RESET at clockwise.  
RESET 調整鈕可修正控制溫度 (PV) 與設定溫度 (SV) 的差異,如過控制溫度高於設定溫度,向逆時針方向調整。如果控制溫度低於設定溫度,向順時針方向調整,每次調整的角度不宜過大。
- Separate the signal line of the Sensor from power line, load line and use independent line  
請避免將感溫線與電源線或負載線綁在一起,若需延長感溫線,務必使用相同導線。
- Keep away from the high frequency instrument, high temperature devices or vibration machines  
安裝本產品時,請勿靠近高溫場所,避免周圍環境溫度急速變化,及避免激烈振動及衝擊。
- Do not install the unit at the place where corrosive gasses, moisture, etc. are occurred  
避免安裝在有腐蝕性氣體或濕氣太重的場所。
- Heat Load connect to NO contact, cooler Load connect to NC contact  
加熱性負載請接NO接點,冷卻性負載請接NC接點,以免溫控異常。

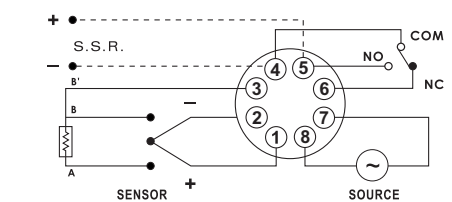


TC1 Series 48H x 48Wmm

- Dimension & Fixed Hold 尺寸圖及開孔圖

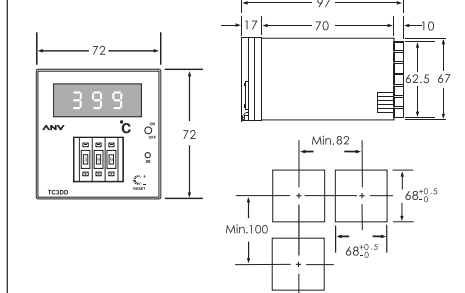


● Connection Diagram 接線圖

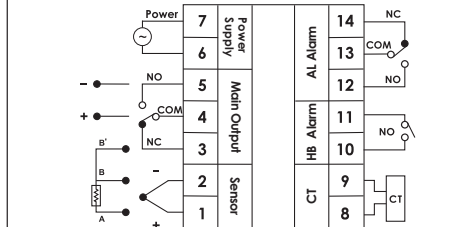


TC3 Series 72H x 72Wmm

- Dimension & Fixed Hold 尺寸圖及開孔圖

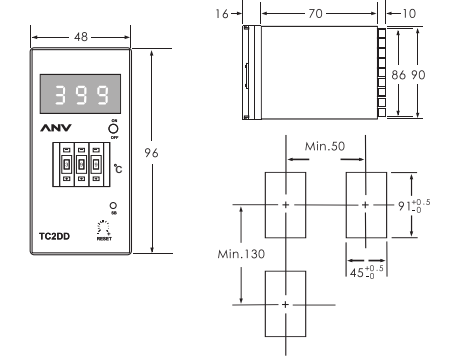


● Connection Diagram 接線圖

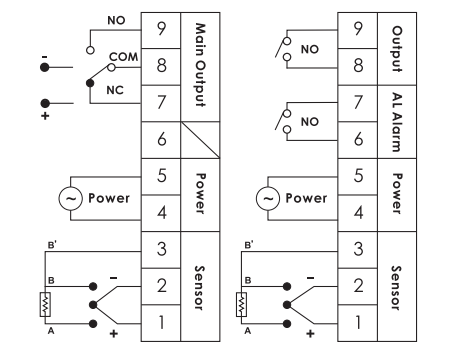


TC2 Series 96H x 48Wmm

- Dimension & Fixed Hold 尺寸圖及開孔圖

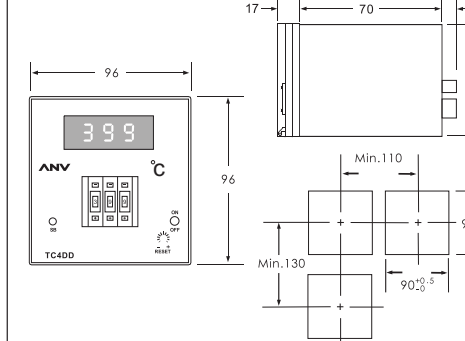


● Connection Diagram 接線圖



TC4 Series 96H x 96Wmm

- Dimension & Fixed Hold 尺寸圖及開孔圖



● Connection Diagram 接線圖

