



- Programmable time-cycle control for full time ranges preset in 7days
- Provide maximum 80 sets ON time and OFF time
- Can be switched to pulse mode or twin timer mode (APT1-S, APT2-S)

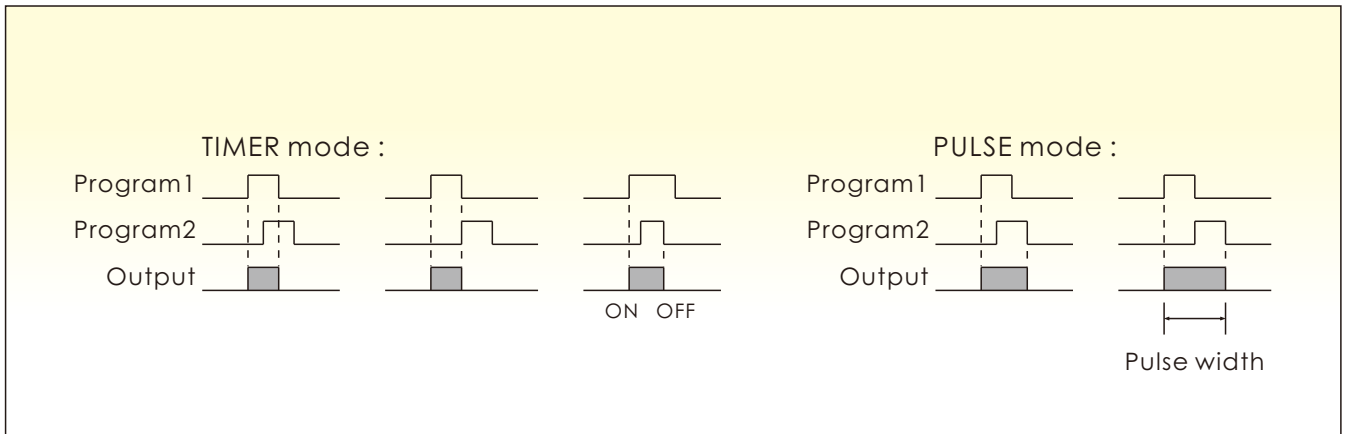
SPECIFICATIONS

MODEL	APT1	APT1-B	APT1-S	APT2	APT2-B	APT2-S
DIMENSION(mm)	48H× 48W× 83.5D			72H× 72W× 55D		
MOUNTING	Surface : P2CF-08 Flush : Y-50 & US-08 or Y-50 & P3G-08			Surface : N-3TB Flush : Y-72		
RATED VOLTAGE	100~240VAC/DC , 12~60VDC/AC 50/60Hz					
OPERATING VOLTAGE	85~110% of rated voltage					
INDICATOR OPERATING	ON : Green OFF : Red					
ON/OFF OUTPUT SETS	30 Sets		80 Sets	30 Sets		80 Sets
WEEKLY SETTING METHOD	15 options for choose		Optional	15 options for choose		Optional
OUTPUT CONTACT	1C 15A 250VAC Resistive load			1C 20A 250VAC Resistive load		
L I F E	MECHANICAL		5×10 ⁶ times			
	ELECTRICAL		10 ⁵ times			
RESET TIME	0.1 sec max					
CONSUMED POWER	3VA					
AMBIENT TEMPERATURE	-10℃~+55℃					
AMBIENT HUMIDITY	45~85%RH					
WEIGHT	Approx. 130g			Approx. 178g		

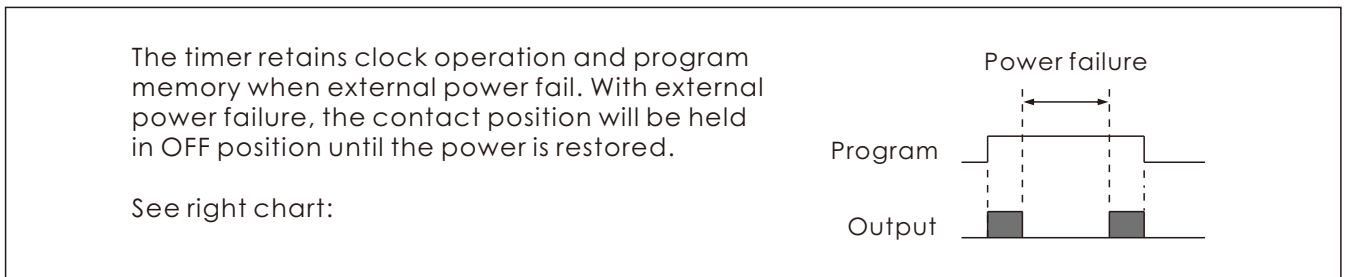
MODEL AND FUNCTION COMPARISON TABLE

Model	APT1	APT1-B	APT1-S	APT2	APT2-B	APT2-S
Timer mode	○	○	○	○	○	○
Pulse mode	---	---	○	---	---	○
Twin Timer mode	---	---	○	---	---	○
Memory Option	---	---	○	---	---	○
Backlight Option	---	○	○	---	○	○

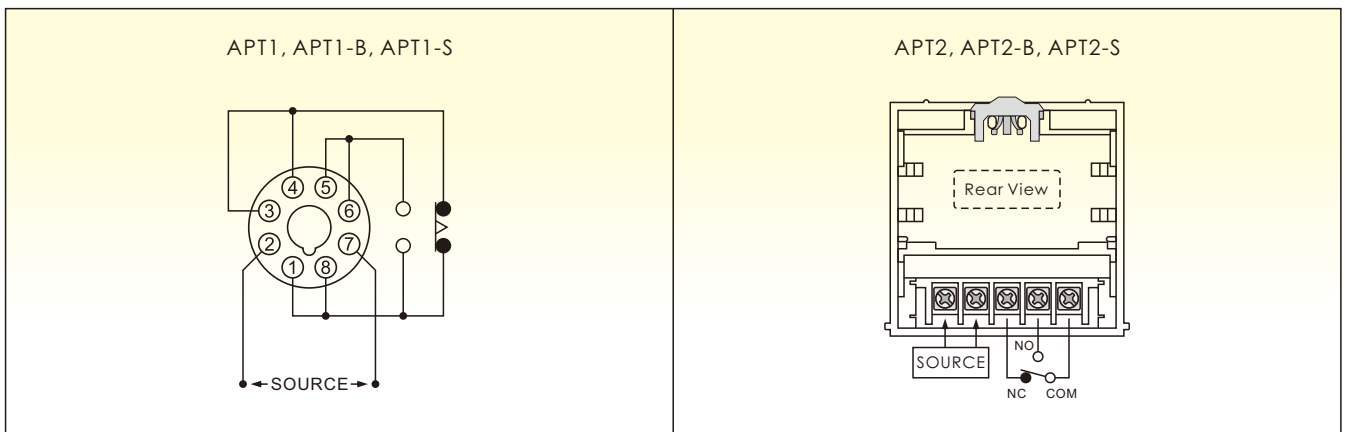
PROGRAM OVERLAPPING TIMING CHARTS



POWER BACKUP FEATURE

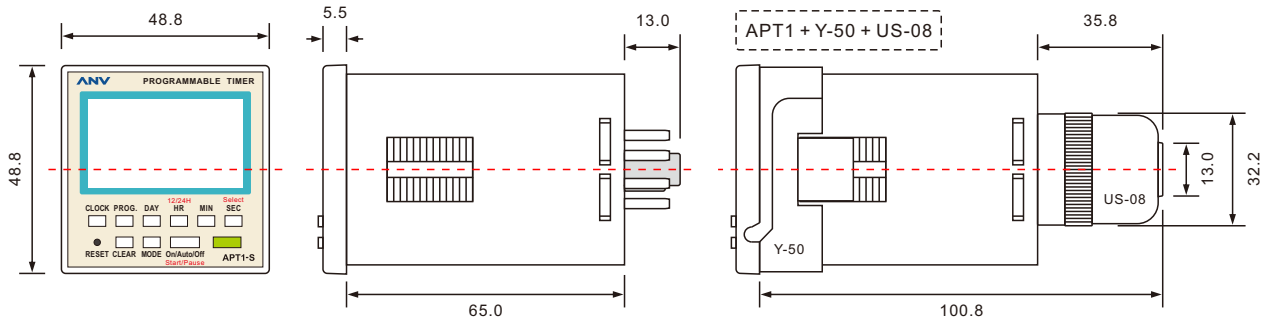


CONNECTION DIAGRAMS

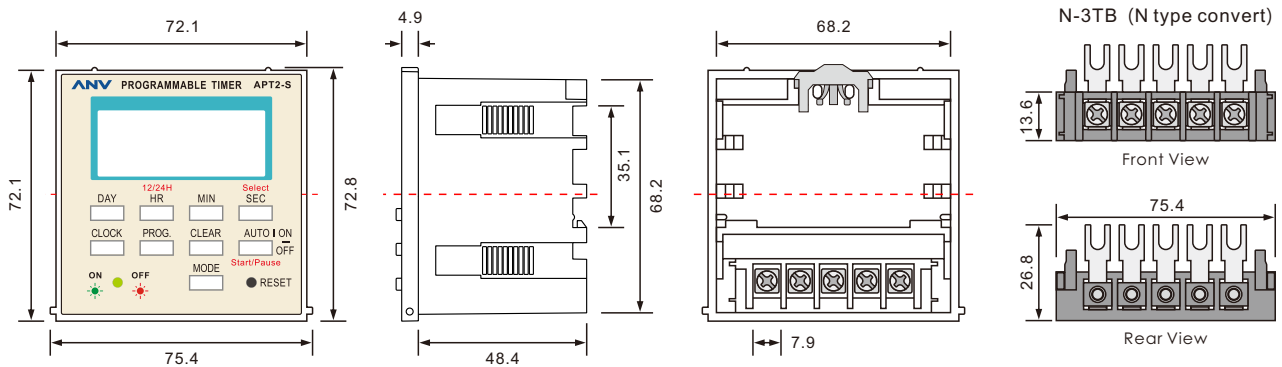


DIMENSIONS

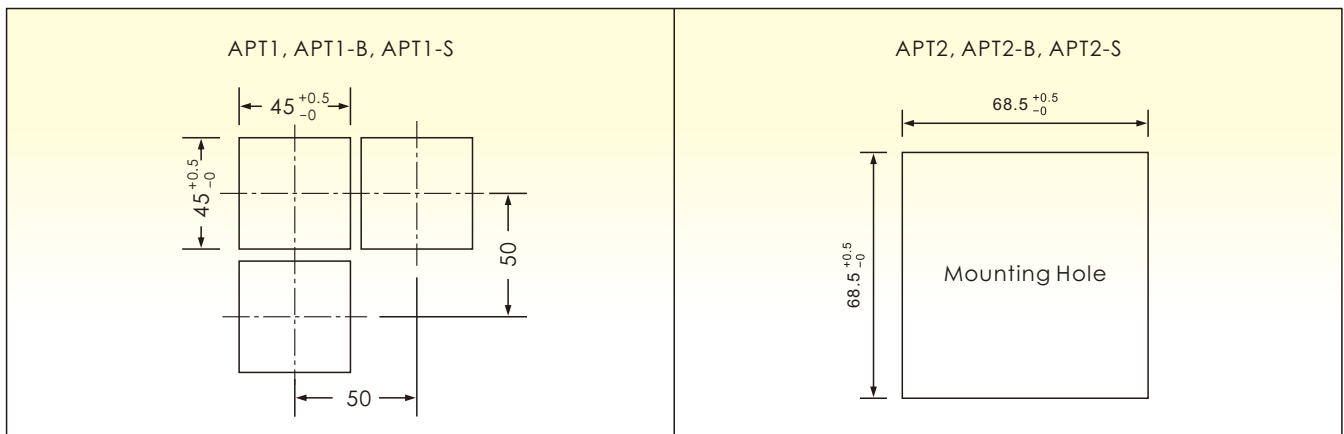
Surface Mounting (N Type) : Using P2CF-08 Socket
 Flush Mounting (Y Type) : Using Y-50 & US-08 or Y-50 & P3G-08 Socket



Surface Mounting (N Type) : Using N-3TB Terminal
 Flush Mounting (Y Type) : Using Y-72 Frame



MOUNTING HOLE SIZE



ANV ANV ANV ELECTRIC CO., LTD.

Kaohsiung Headquarter

No. 151, Jin Shan Road, Kaohsiung, Taiwan
 Tel :+886 7 359 5833 Fax :+886 7 359 5822
 E-Mail : anv@anv.com.tw

Taipei Office

No. 166, Fu Xing 3rd Street, Taishan Dist.,
 New Taipei City, Taiwan
 Tel :+886 2 2296 3133 Fax :+886 2 2296 3233
 E-Mail : taipei@anv.com.tw

Tainan Office

No. 60, Lin Sen Road Sec. 1, Tainan, Taiwan
 Tel:+886 6 216 0988 Fax:+886 6 216 0388
 E-Mail : tainan@anv.com.tw

ANV ELECTRIC (HK) LTD

Flat 4, 14/F., Block 4, Wai Wah Centre,
 Shatin, N.T., Hong Kong
 Tel :+852 2690 2588 Fax :+852 2690 2511
 E-Mail : anv@anv.com.hk

Taichung Office

No. 532, Wen Hsin Road Sec. 1, Taichung, Taiwan
 Tel :+886 4 2320 9930 Fax :+886 4 2320 9960
 E-Mail : taichung@anv.com.tw

ANV ELECTRIC (M) SDN. BHD

25-1, Jalan 1/116B, Kuchai Entrepreneur's Park,
 Off Jalan Kuchai Lama, 58200 Kuala Lumpur, Malaysia
 Tel :+60 3 7980 3328 Fax :+60 3 7980 3779
 E-Mail : anv@anv.com.my