

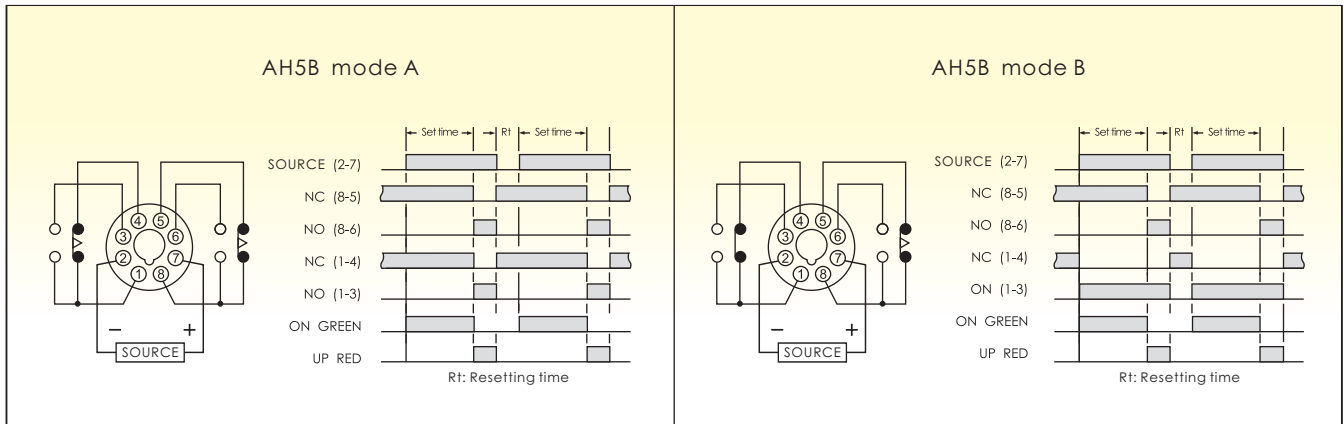


- DIN Size 48H×48Wmm
- Using CMOS IC, high reliability and stability
- Offered in a wide range of AC or DC operating voltage
- Wide variety of time ranges (0.1sec to 60hrs)
- Output contact 2C delay or 1C delay with 1C instantaneous can select by pushing "MODE" switch to A or B
- Bi-Color LED provides status indication for power ON and time UP
- Flush mount with Type Y-50+P3G-08 and Surface mount with Type P2CF-08 Socket

### SPECIFICATIONS

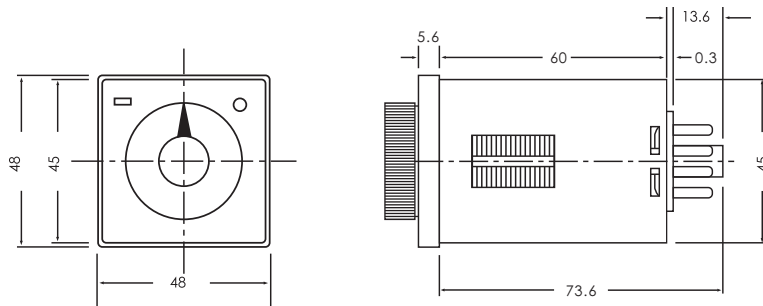
FULL TIME RANGE		SEC : 1, 3, 6, 10, 30, 60 MIN : 3, 6, 10, 30, 60 H R : 3, 6, 10, 30, 60	
RATED VOLTAGE		DC(V): 12, 24, 48, 110 AC(V): 12, 24, 48, 110, 220, 240, 380, 415, 440 50/60Hz	
INDICATOR OPERATING		ON-Green UP-Red	
o/p C O N T A C T	MODE	mode A	mode B
	TIME LIMIT 1C		5A 250VAC Resistive Load
	TIME LIMIT 2C	5A 250VAC Resistive Load	
	INSTANTANEOUS 1C		5A 250VAC Resistive Load
L I F E	MECHANICAL	5×10 <sup>6</sup> times	
	ELECTRICAL	10 <sup>5</sup> times	
RESET TIME		0.1 sec max	
CONSUMED POWER		2VA	
AMBIENT TEMPERATURE		-10°C~+55°C	
AMBIENT HUMIDITY		45~85%RH	
WEIGHT		Approx. 170g	

## CONNECTION DIAGRAMS & TIMING CHARTS

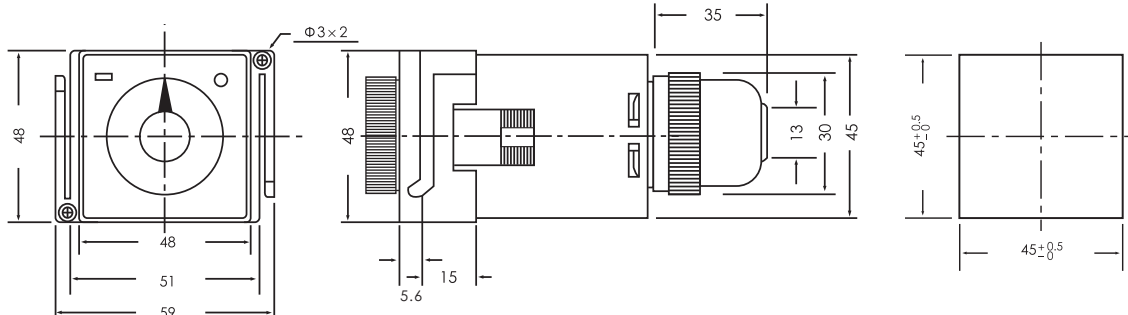


## DIMENSIONS

Surface Mounting ( N Type ) : Using P2CF-08 or PF085A,PF085A-E Socket



Flush Mounting ( Y Type ) : Using Y-50 Adapter+US-08 or P3G-08,P3G-08E Socket



**ANV ELECTRIC CO., LTD.**

**Kaohsiung Headquarter**

No. 151, Jin Shan Road, Kaohsiung, Taiwan  
 Tel :+886 7 359 5833 Fax :+886 7 359 5822  
 E-Mail : anv@anv.com.tw

**Taipei Office**

No. 166, Fu Xing 3rd Street, Taishan Dist.,  
 New Taipei City, Taiwan  
 Tel :+886 2 2296 3133 Fax :+886 2 2296 3233  
 E-Mail : taipei@anv.com.tw

**Tainan Office**

No. 60, Lin Sen Road Sec. 1, Tainan, Taiwan  
 Tel:+886 6 216 0988 Fax:+886 6 216 0388  
 E-Mail : tainan@anv.com.tw

**ANV ELECTRIC (HK) LTD**

Flat 4, 14/F., Block 4, Wai Wah Centre,  
 Shatin, N.T., Hong Kong  
 Tel :+852 2690 2588 Fax :+852 2690 2511  
 E-Mail : anv@anv.com.hk

**Taichung Office**

No. 532, Wen Hsin Road Sec. 1, Taichung, Taiwan  
 Tel :+886 4 2320 9930 Fax :+886 4 2320 9960  
 E-Mail : taichung@anv.com.tw

**ANV ELECTRIC (M) SDN. BHD**

25-1, Jalan 1/116B, Kuchai Entrepreneur's Park,  
 Off Jalan Kuchai Lama, 58200 Kuala Lumpur, Malaysia  
 Tel :+60 3 7980 3328 Fax :+60 3 7980 3779  
 E-Mail : anv@anv.com.my