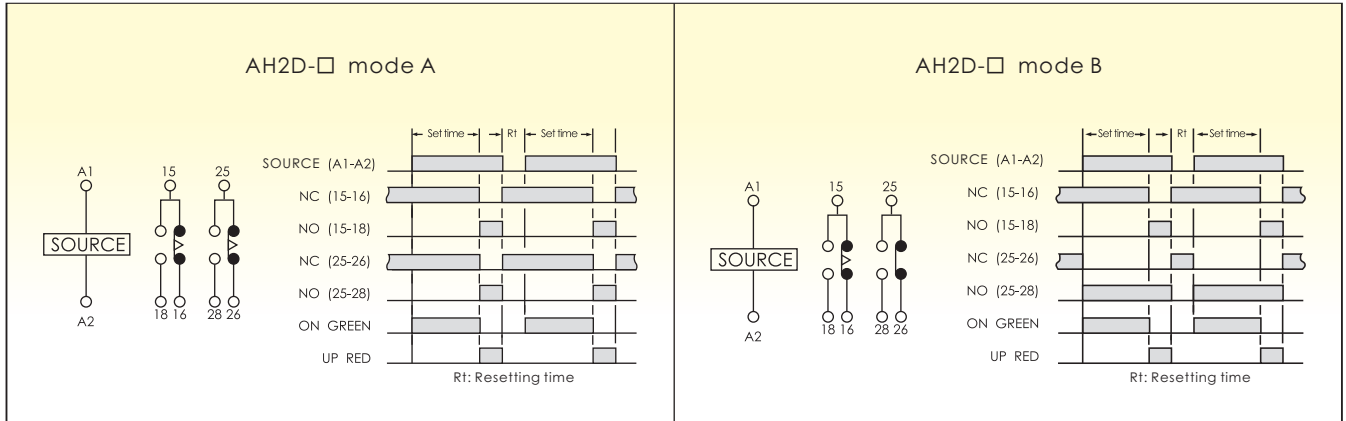


- Using CMOS IC, high reliability and stability
- 7 timing series available (A, B, C, D, E, F, G), from 1sec to 100hrs
- Output contact 2C delay or 1C delay with 1C instantaneous can select by pushing "MODE" switch to A or B
- Bi-Color LED provides status indication for power ON and time UP
- Wide operating voltage AC/DC 24~240V
- Suitable for DIN rail mount

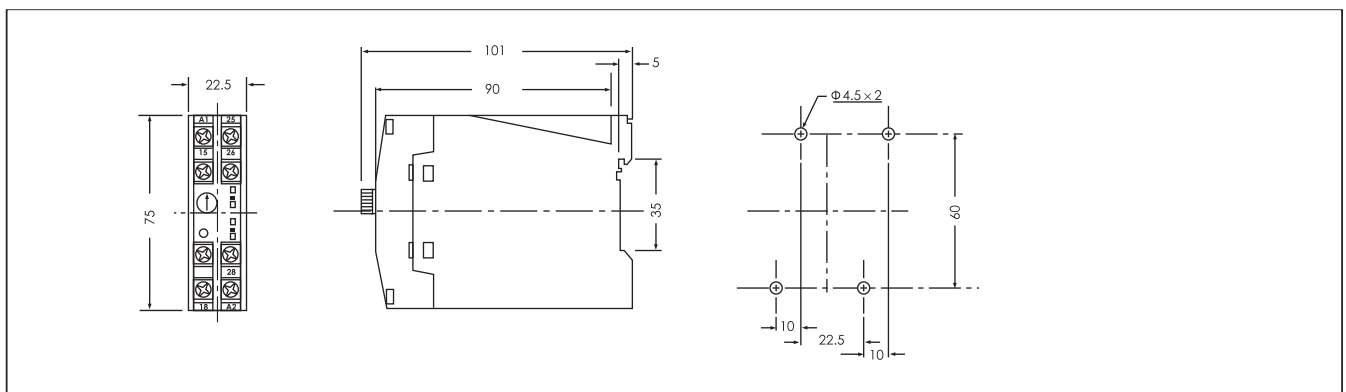
SPECIFICATIONS

FULL TIME RANGE		A: 1S, 10S, 1M, 10M B: 3S, 30S, 3M, 30M C: 6S, 60S, 6M, 60M D: 1M, 10M, 1H, 10H	E: 3M, 30M, 3H, 30H F: 6M, 60M, 6H, 60H G: 10M, 100M, 10H, 100H
MODEL		AH2D-□	
RATED VOLTAGE		AC/DC 24~240V 50/60Hz	
INDICATOR OPERATING		ON-Green UP-Red	
o/p C O N T A C T	MODE	mode A	mode B
	TIME LIMIT 1C		5A 250VAC Resistive Load
	TIME LIMIT 2C	5A 250VAC Resistive Load	
	INSTANTANEOUS 1C		5A 250VAC Resistive Load
L I F E	MECHANICAL	5×10 ⁶ times	
	ELECTRICAL	10 ⁵ times	
RESET TIME		0.1 sec max	
CONSUMED POWER		2VA	
AMBIENT TEMPERATURE		-10°C~+55°C	
AMBIENT HUMIDITY		45~85%RH	
WEIGHT		Approx. 100g	

CONNECTION DIAGRAMS & TIMING CHARTS



DIMENSIONS



ANV ANV ANV ELECTRIC CO., LTD.

Kaohsiung Headquarter

No. 151, Jin Shan Road, Kaohsiung, Taiwan
 Tel :+886 7 359 5833 Fax :+886 7 359 5822
 E-Mail : anv@anv.com.tw

Taipei Office

No. 166, Fu Xing 3rd Street, Taishan Dist.,
 New Taipei City, Taiwan
 Tel :+886 2 2296 3133 Fax :+886 2 2296 3233
 E-Mail : taipei@anv.com.tw

Tainan Office

No. 60, Lin Sen Road Sec. 1, Tainan, Taiwan
 Tel:+886 6 216 0988 Fax:+886 6 216 0388
 E-Mail : tainan@anv.com.tw

ANV ELECTRIC (HK) LTD

Flat 4, 14/F., Block 4, Wai Wah Centre,
 Shatin, N.T., Hong Kong
 Tel :+852 2690 2588 Fax :+852 2690 2511
 E-Mail : anv@anv.com.hk

Taichung Office

No. 532, Wen Hsin Road Sec. 1, Taichung, Taiwan
 Tel :+886 4 2320 9930 Fax :+886 4 2320 9960
 E-Mail : taichung@anv.com.tw

ANV ELECTRIC (M) SDN. BHD

25-1, Jalan 1/116B, Kuchai Entrepreneur's Park,
 Off Jalan Kuchai Lama, 58200 Kuala Lumpur, Malaysia
 Tel :+60 3 7980 3328 Fax :+60 3 7980 3779
 E-Mail : anv@anv.com.my