

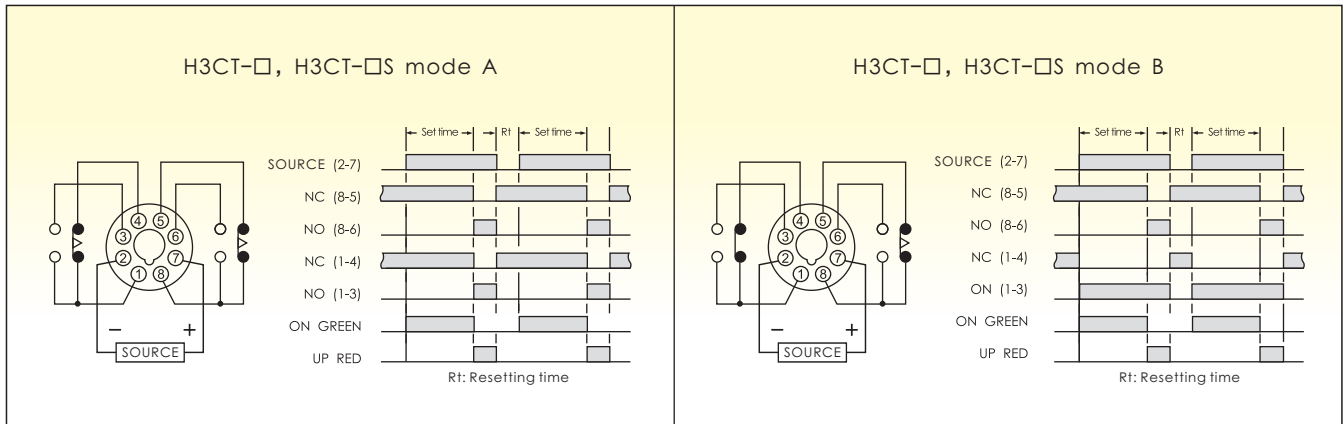


- DIN Size 48H×48Wmm
- Using CMOS IC, high reliability and stability
- Wide operating voltage AC/DC 24~240V (H3CT-□) or fixed voltage (H3CT-□S)
- 7 timing series available (A, B, C, D, E, F, G), from 1sec to 100hrs
- Output contact 2C delay or 1C delay with 1C instantaneous can select by pushing "MODE" switch to A or B
- Bi-Color LED provides status indication for power ON and time UP
- Flush mount with Type Y-50+P3G-08 and Surface mount with Type P2CF-08 Socket

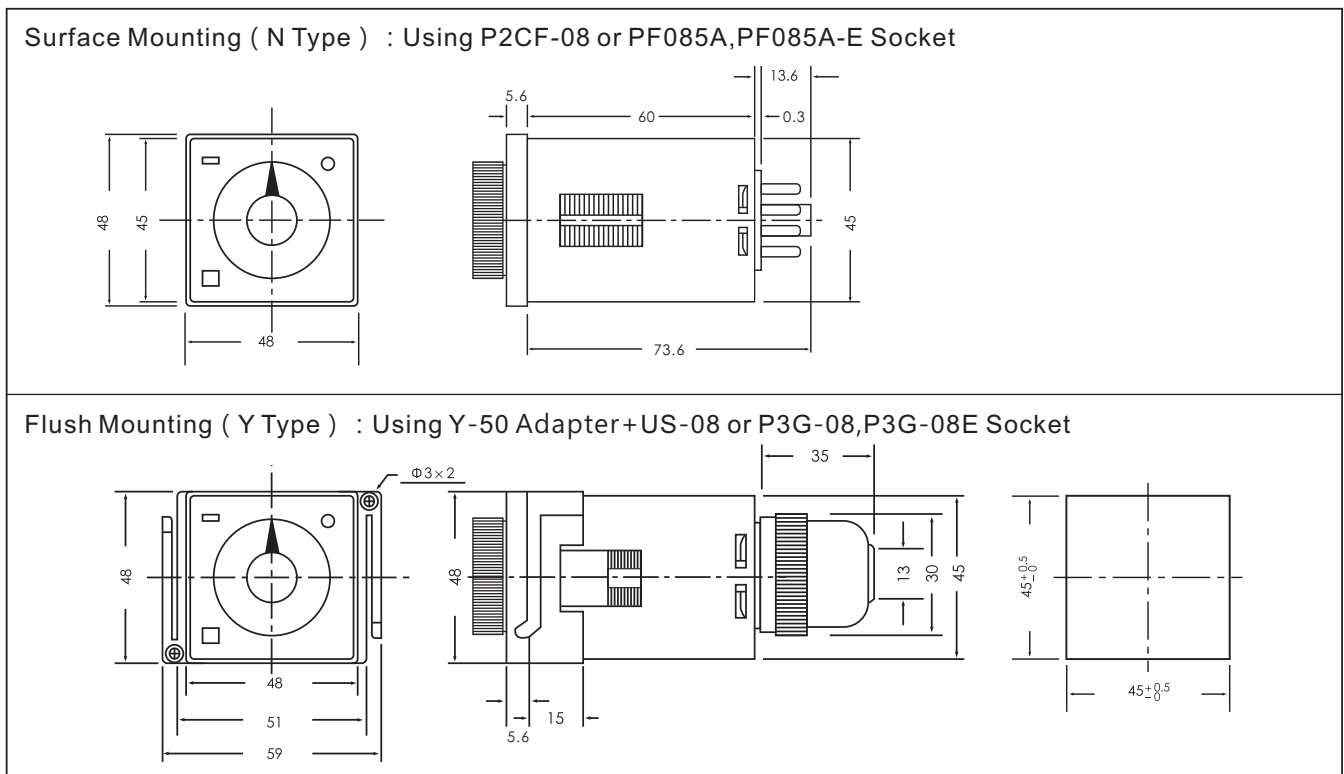
## SPECIFICATIONS

DIMENSIONS(mm)		48H×48W×74D			
FULL TIME RANGE		A: 1S, 10S, 1M, 10M B: 3S, 30S, 3M, 30M C: 6S, 60S, 6M, 60M D: 1M, 10M, 1H, 10H		E: 3M, 30M, 3H, 30H F: 6M, 60M, 6H, 60H G: 10M, 100M, 10H, 100H	
MODEL		H3CT-□		H3CT-□S	
RATED VOLTAGE		AC/DC 24~240V 50/60Hz		DC(V):12, 24, 48, 110 AC(V):12, 24, 48, 110, 220, 240, 380, 415, 440 50/60Hz	
INDICATOR OPERATING		ON-Green UP-Red			
o/p C O N T A C T	MODE	mode A	mode B	mode A	mode B
	TIME LIMIT 1C		5A 250VAC Resistive Load		5A 250VAC Resistive Load
	TIME LIMIT 2C	5A 250VAC Resistive Load		5A 250VAC Resistive Load	
	INSTANTANEOUS 1C		5A 250VAC Resistive Load		5A 250VAC Resistive Load
L I F E	MECHANICAL	5×10 <sup>6</sup> times			
	ELECTRICAL	10 <sup>5</sup> times			
RESET TIME		0.1 sec max			
CONSUMED POWER		2VA			
AMBIENT TEMPERATURE		-10°C~+55°C			
AMBIENT HUMIDITY		45~85%RH			
WEIGHT		Approx. 110g		Approx. 170g	

CONNECTION DIAGRAMS & TIMING CHARTS



DIMENSIONS



**ANV ELECTRIC CO., LTD.**

<p><b>Kaohsiung Headquarter</b>                  No. 151, Jin Shan Road, Kaohsiung, Taiwan                  Tel :+886 7 359 5833 Fax :+886 7 359 5822                  E-Mail : anv@anv.com.tw</p>	<p><b>Tainan Office</b>                  No. 60, Lin Sen Road Sec. 1, Tainan, Taiwan                  Tel:+886 6 216 0988 Fax:+886 6 216 0388                  E-Mail : tainan@anv.com.tw</p>	<p><b>Taichung Office</b>                  No. 532, Wen Hsin Road Sec. 1, Taichung, Taiwan                  Tel :+886 4 2320 9930 Fax :+886 4 2320 9960                  E-Mail : taichung@anv.com.tw</p>
<p><b>Taipei Office</b>                  No. 166, Fu Xing 3rd Street, Taishan Dist.,                  New Taipei City, Taiwan                  Tel :+886 2 2296 3133 Fax :+886 2 2296 3233                  E-Mail : taipei@anv.com.tw</p>	<p><b>ANV ELECTRIC (HK) LTD</b>                  Flat 4, 14/F., Block 4, Wai Wah Centre,                  Shatin, N.T., Hong Kong                  Tel :+852 2690 2588 Fax :+852 2690 2511                  E-Mail : anv@anv.com.hk</p>	<p><b>ANV ELECTRIC (M) SDN. BHD</b>                  25-1, Jalan 1/116B, Kuchai Entrepreneur's Park,                  Off Jalan Kuchai Lama, 58200 Kuala Lumpur, Malaysia                  Tel :+60 3 7980 3328 Fax :+60 3 7980 3779                  E-Mail : anv@anv.com.my</p>