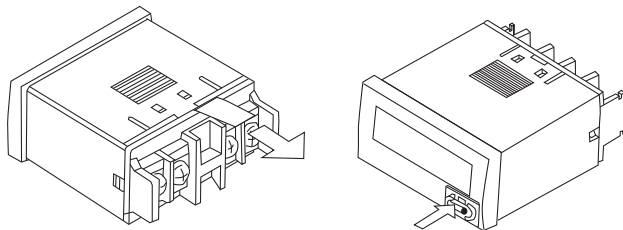


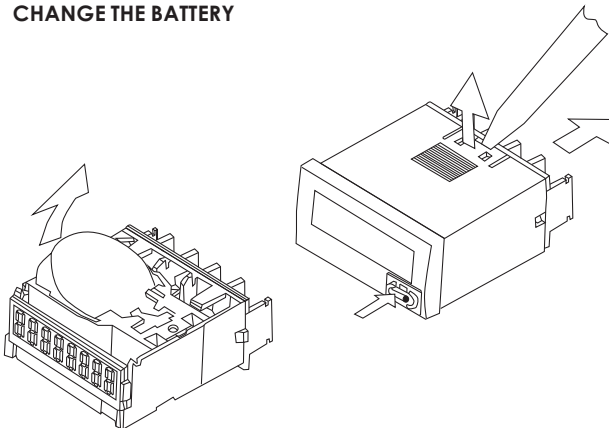
CAUTION FOR YOUR SAFETY

- ⚠ WARNING** Serious injury may result if instructions are not followed.
- ⚠ WARNING** Product may be damaged or injury may result if incorrect handling.
- ⚠ WARNING**
 - This product use lithium battery. Do not short the positive and negative terminals or recharge the battery.
 - Do not attempt to disassemble, repair, or modify the product. It may give an electric shock.
 - Do not use the product in locations where flammable or explosive gases are present. It may give an electric shock and cause a fire.
- ⚠ CAUTION**
 - Please observe specification rating(temperature, humidity, voltage). It might shorten the life cycle of the product and cause a fire.
 - Tighten the screws on the terminal block. Loose screws may occasionally cause fire due to contact failure.

FOR CORRECT USE



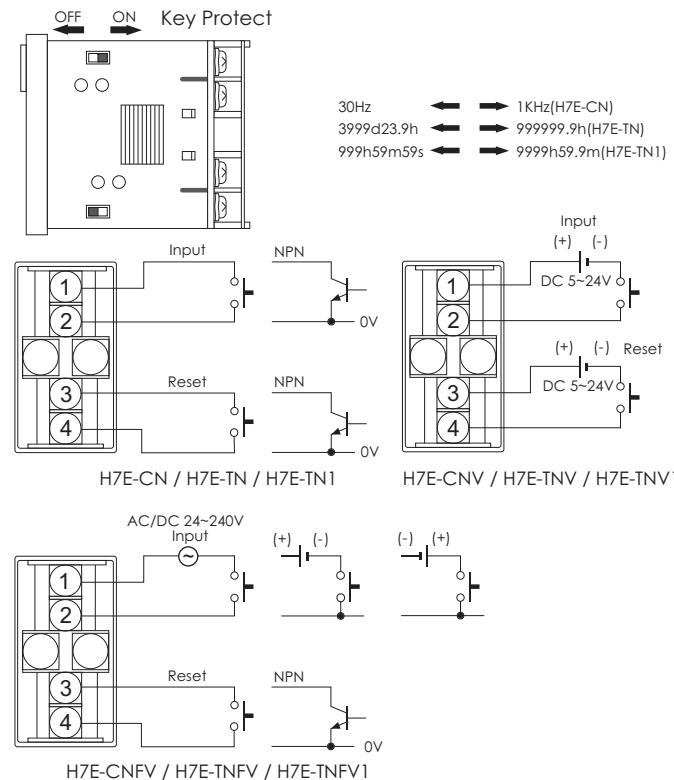
CHANGE THE BATTERY



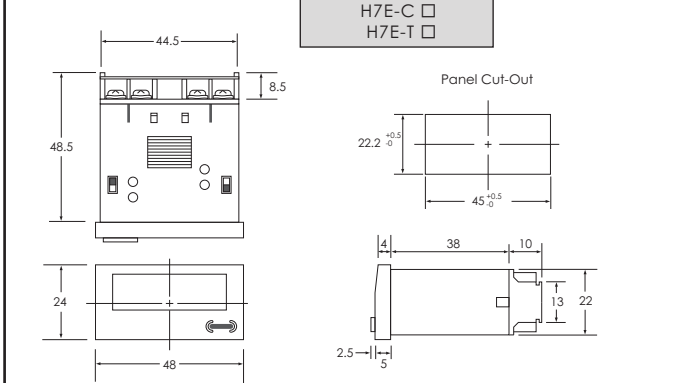
SPECIFICATIONS & CHARACTERISTICS

FUNCTION	8 Digit total counter		
INPUT TYPE	H7E-CN	H7E-CNV	H7E-CNFV
	Non-voltage (Contact, Transistor)	DC 5~24V	AC/DC 24~240V
RESET METHOD	Non-voltage (Contact, Transistor)	DC 5~24V	Non-voltage (Contact, Transistor)
FUNCTION	7 Digit time counter		
INPUT TYPE	H7E-TN	H7E-TNV	H7E-TNFV
	Non-voltage (Contact, Transistor)	DC 5~24V	AC/DC 24~240V
	H7E-TN1	H7E-TNV1	H7E-TNFV1
	Non-voltage (Contact, Transistor)	DC 5~24V	AC/DC 24~240V
DISPLAY TIME	999999.9h/3999d23.9h, 999h59m59s/9999h59.9m		
BATTERY LIFE	7 Years Min.		
RESET METHOD	H7E-TN	H7E-TNV	H7E-TNFV
	Non-voltage (Contact, Transistor)	DC 5~24V	Non-voltage (Contact, Transistor)
	H7E-TN1	H7E-TNV1	H7E-TNFV1
	Non-voltage (Contact, Transistor)	DC 5~24V	Non-voltage (Contact, Transistor)
WEIGHT	Approx.65g		

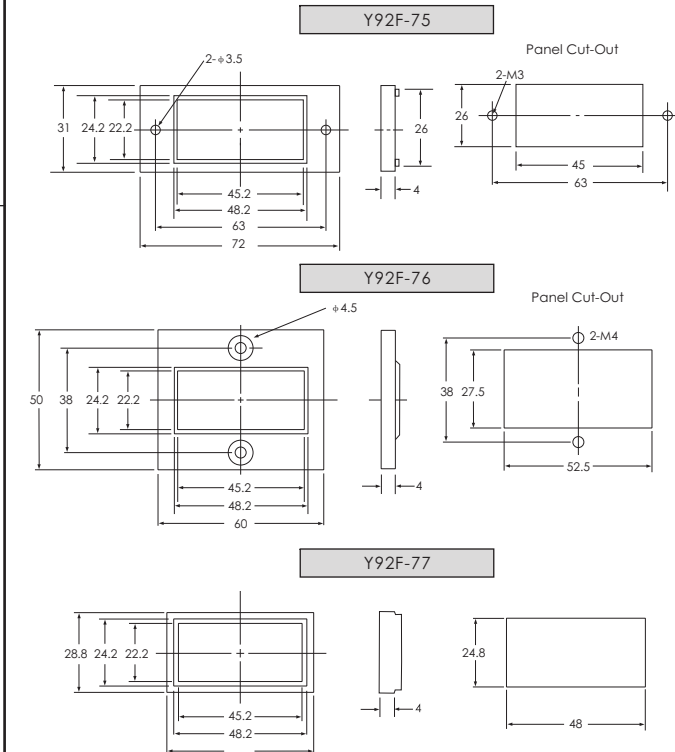
CONNECTION DIAGRAMS



DIMENSIONS



ADAPTER



Main Products

- Timer
- Counter
- Protective Relay
- Solid State Relay
- Temperature Controller
- Digital Temperature Controller
- panel Meter
- Power Relay
- Limit Switch
- Level Switch
- PID Digital Controller
- Proximity Switch
- Thermocouple
- Sockets & Accessories

ANV ELECTRIC CO., LTD.

Kaohsiung Headquarter : No. 151, Jin Shan Road, Kaohsiung, Taiwan
 Tel: +886 7 359 5833 Fax: +886 7 359 5822
 http://www.anv.com.tw
 E-mail: anv@anv.com.tw