

Ordering Information 訂購資料

TC3DD - RPAK3F
 ① ② ③ ④ ⑤ ⑥ ⑦ ⑧ ⑨ ⑩

① Product 產品名稱

Temperature Controller

② Size 外形尺寸

- 1 = 48H x 48Wmm
- 2 = 96H x 48Wmm
- 3 = 72H x 72Wmm
- 4 = 96H x 96Wmm

③ Method of Setting 設定方式

D = Digital Switch 撥碼開關
 A = Trimmer 旋鈕

O = Without set 無設定

④ Method of Display 顯示方式

D = Digital LED Display 數字顯示
 O = Without Display 無顯示

⑤ Method of Output 輸出方式

R = Relay Output 繼電器輸出
 V = Voltage Output 電壓輸出

⑥ Method of Control 控制方式

P = Proportional Control 比例控制
 O = ON/OFF Control 開/關控制

⑦ Alarm 警報

A = With Stand-By/Over-Heat Alarm 待機/過熱警報
 H = With Stand-By/Over-Heat Alarm/Heater Break Alarm 待機/過熱警報及加熱器斷線警報

⑧ Type of Sensor 感溫線種類

K = K Type K型熱電偶
 J = J Type J型熱電偶
 Pt = PT-100Ω 熱電阻

⑨ Range of Setting 設定範圍

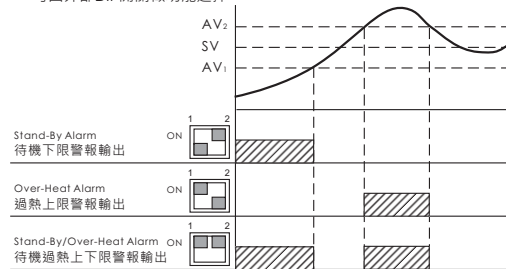
Digital Switch 撥碼開關	Trimmer 旋鈕
0 = -99 ~ + 99	T = -50 ~ + 50
1 = 0 ~ + 199	L = 0 ~ + 50
3 = 0 ~ + 399	U = 0 ~ + 100
5 = 0 ~ + 599	2 = 0 ~ + 200
9 = 0 ~ + 999	4 = 0 ~ + 400
	6 = 0 ~ + 600
	X = 0 ~ + 1200

⑩ Unit of Degree 刻度單位

F = °F
 Non = °C

Specification 功能特性

- ON/OFF LED 動作指示燈
 Green-Control Output Turn ON
 Red-Control Output Turn Off
 綠燈亮(ON)加熱,紅燈亮(OFF)不加熱
- Sensor Break LED (SB) 感溫線斷線指示燈
 SB LED Turn ON When Sensor Break
 SB LED 燈亮時表示感溫線斷線
- AL Stand-By/Over-Heat Alarm 待機/過熱警報
 SV=Setting Value 溫度設定值
 AV1/AV2=Stand-By/Over-Heat 待機/過熱設定值
 Function Selects by DIP Switch
 可由外部DIP開關做功能選擇

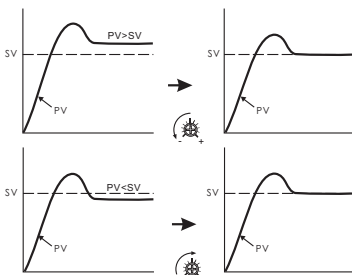


● Heater Break Alarm (HB) 加熱器斷線警報

Heater break alarm output turns ON when the current of heater lower than setting value that may set of front panel. (0.5A~25A standard/1.0A~50A optional).
 當加熱器電流低於設定值時,加熱器斷線警報即動作,設定值可在面板設定,標準0.5A~25A,訂做1.0A~50A.

Notice of Use 注意事項

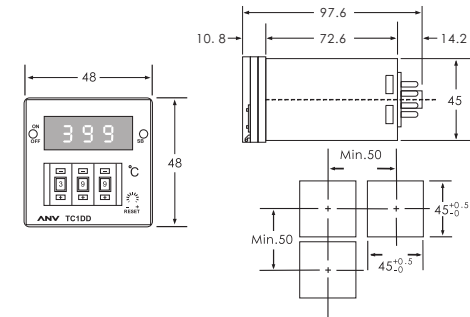
- "RESET" 調整 OFFSET
 RESET Adjuster may modify the difference between present value (PV) and setted value (SV). If PV>SV may modify RESET at counterclockwise. If PV<SV may modify RESET at clockwise. RESET 調整鈕可修正控制溫度 (PV) 與設定溫度 (SV) 的差異,如過控制溫度高於設定溫度,向逆時針方向調整。如果控制溫度低於設定溫度,向順時針方向調整,每次調整的角度不宜過大。



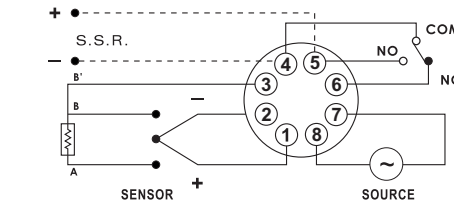
- Separate the signal line of the Sensor from power line, load line and use independent line
 請避免將感溫線與電源線或負載線綁在一起,若需延長感溫線,務必使用相同導線。
- Keep away from the high frequency instrument, high temperature devices or vibration machines
 安裝本產品時,請勿靠近高溫場所,避免周圍環境溫度急速變化,及避免激烈振動及衝擊。
- Do not install the unit at the place where corrosive gasses, moisture, etc. are occurred
 避免安裝在有腐蝕性氣體或濕氣太重的場所。
- Heat Load connect to NO contact, cooler Load connect to NC contact
 加熱性負載請接NO接點,冷卻性負載請接NC接點,以免溫控異常。

TC1 Series 48H x 48Wmm

● Dimension & Fixed Hold 尺寸圖及開孔圖

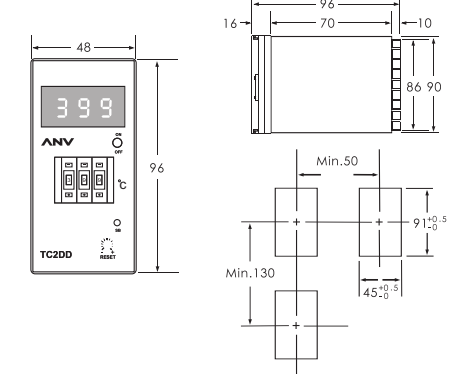


● Connection Diagram 接線圖

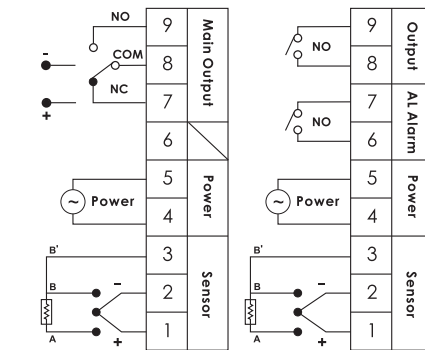


TC2 Series 96H x 48Wmm

● Dimension & Fixed Hold 尺寸圖及開孔圖

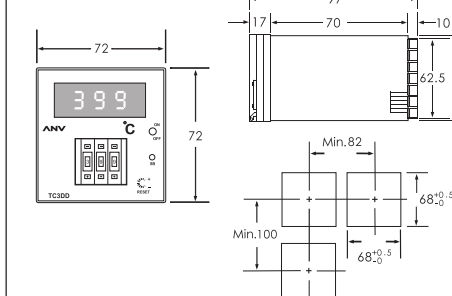


● Connection Diagram 接線圖

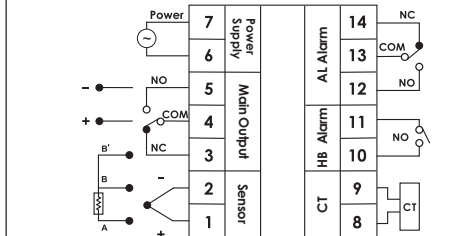


TC3 Series 72H x 72Wmm

● Dimension & Fixed Hold 尺寸圖及開孔圖

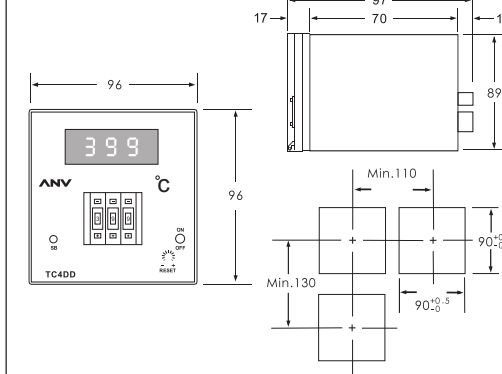


● Connection Diagram 接線圖



TC4 Series 96H x 96Wmm

● Dimension & Fixed Hold 尺寸圖及開孔圖



● Connection Diagram 接線圖

